

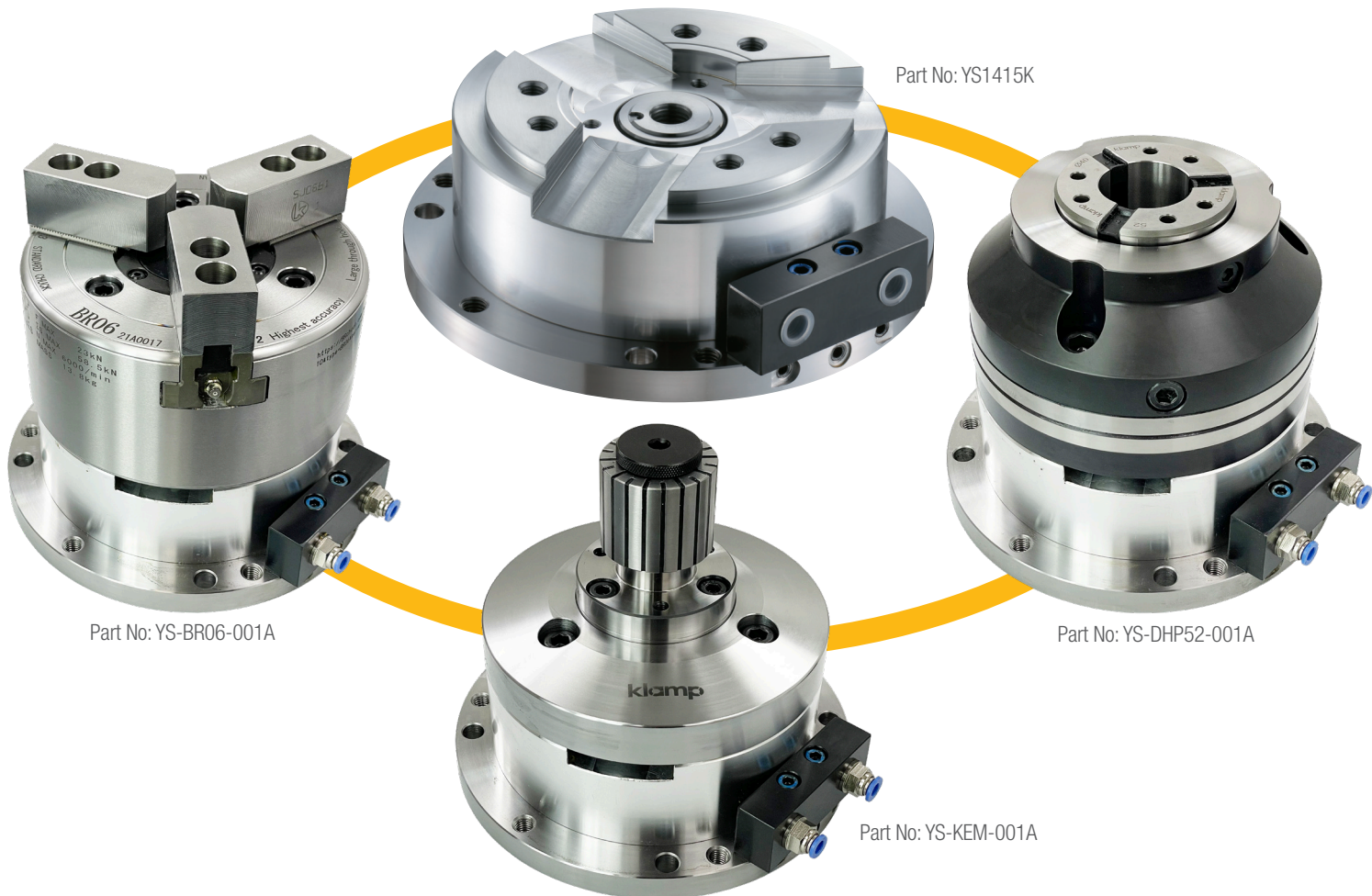


STATIC CHUCKS

YS Modular System

Kitagawa Pneumatic or Hydraulic static cylinder to convert your rotary workholding systems for use on vertical machining centres

Machining centre mountable static cylinder with multiple work holding options



- 1 Low-profile Kitagawa static cylinders, as low as 77.5mm high on the Z-Axis can be easily mounted to milling and drilling machines.
- 2 Three base sizes available, to operate up to 10" chuck sizes and can be arranged in a multiplate configuration for automation set-ups.
- 3 Delivering up to 20.8kN pull force with pneumatic actuation or 51.9kN pull force with low pressure hydraulic actuation (1.5MPa) within the series.
- 4 Multiple standard workholding options available, three jaw chuck for plate shaped workpieces, collet chuck for bar shapes and expanding mandrels for low-pressure internal gripping.
- 5 System can be adapted to almost any rotary power chuck system to enable the workholding to be used for milling operations.
- 6 Up to 20mm of piston stroke allows adaption to a variety of workholding systems.

Workholding system with fast set up times suitable for varied production requirements

The YS modular system utilises a static cylinder that can be mounted onto your machine bed. The static cylinder itself is extremely low-profile and until it is utilised it will have minimal impact on your machining envelope therefore allowing it to remain in place until it is required.

Once the static cylinder is required you have many workholding options available from a three jaw power chuck, collet chucks or even expanding

mandrels. Depending on your machine size we can provide cylinders to actuate 6" (165mm), 8" (210mm), or 10" (254mm) chuck sizes.

The system can utilise Kitagawa equipment or any third party power workholding systems requiring a pull or push actuation and the cylinder can be operated pneumatically or hydraulically depending on the workholding.

YS Modular systems can integrate a large range of power chucks such as this PW06 Ball lock chuck ideal for casting and first operation work peices.



Similarly this YS cylinder has been integrated with a PU206 pull back chuck capable of very high accuracy workholding.



You can order a simple protective cap to fit to your static cylinder to protect the mechanism when it is not being used.



YS Modular System

Three standard modular system setups that can be supplied within a short time frame

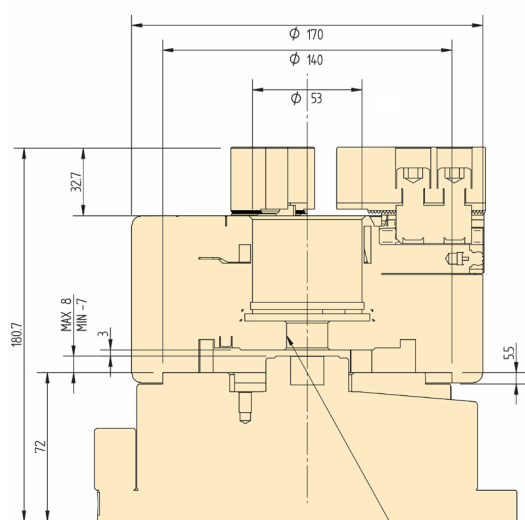
Many other sizes and versions available.

Specifications - example of 6" (165mm) systems

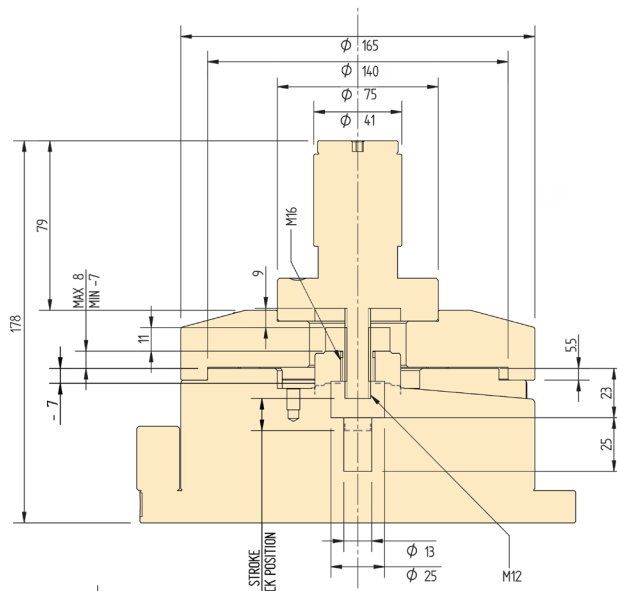
Model	YS-BR06-001A	YS-DHP52-001A	YS-KEM-001A
1 Three Jaw Power chuck gripping diameters (mm)	19 - 170	n/a	n/a
2 Collet Chuck gripping diameters - Round / Hex / Square (mm)	n/a	8~52 / 7~45 / 7~36	n/a
3 Expanding Mandrel Gripping diameters (mm)	n/a	n/a	12.4 - 82.0**
4 Max. clamping Force (Pneumatic / Hydraulic) (kN)	20.6 / 51.1	19 / 47	12.5 / 35.7
6 Static cylinder pull force (Pneu. 0.7MPa) / (Hyd. 1.5MPa) (kN)	8.1 / 20.1	8.1 / 20.1	8.1 / 20.1
7 Jaw stroke / collet stroke / sleeve stroke (mm)	5.5	1	0.8
8 Static cylinder piston stroke (mm)	15	15	15
9 Body Height (mm)	148	151.5	178
10 Total height including top jaws / collet / sleeve (mm)	180.7	158.5	178
11 Mass of product (kg)	27.8*	26.5*	18*

Dimensions

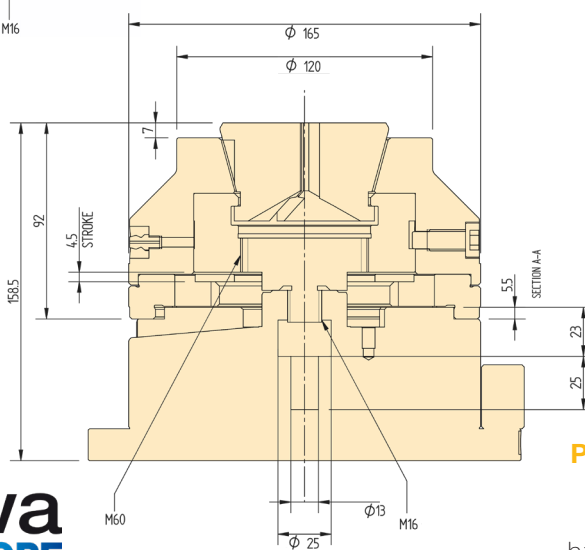
* approximate weights **Complete standard KEM range



Part No: YS-BR06-001A



Part No: YS-KEM-001A



Part No: YS-DHP52-001A



<https://www.kitagawa.global>

Kitagawa Europe Limited

Unit 1, The Headlands, Downton, Salisbury, Wiltshire. SP5 3JJ

Tel: +44 17255 14010

Email: export@kitagawaeurope.com

• Specifications and outside appearance are subject to change without notice due to ongoing research and development.

• The colour of the actual product may be different from the catalogue due to printing matters.

• Catalogue contents as of 2022.02

• The products herein are controlled under Japanese Foreign Exchange and Foreign Trade Control Act.

In the event of importing and/or exporting the products, you are obliged to consult KITAGAWA as well as your government for the related regulation prior to any transaction.